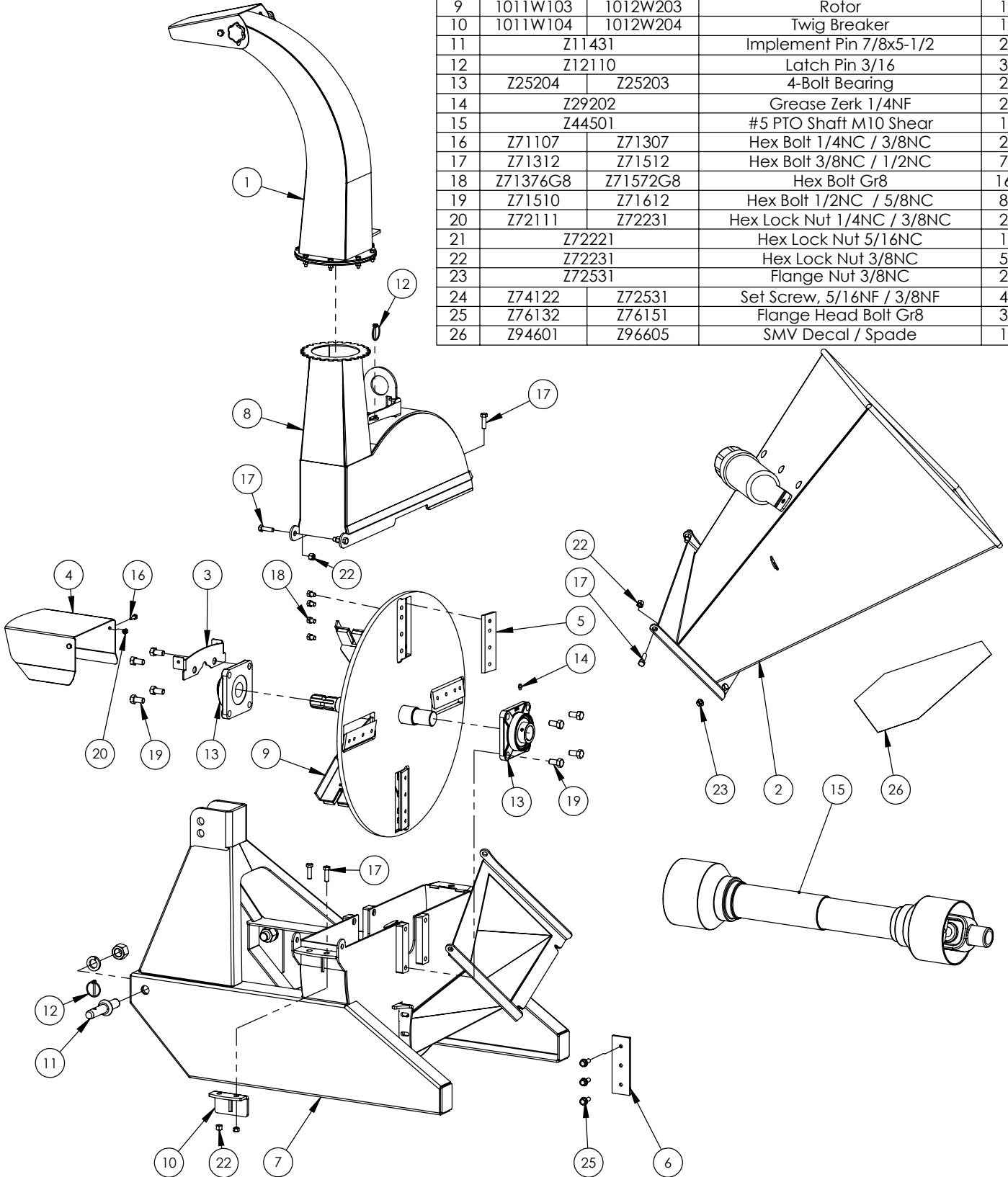
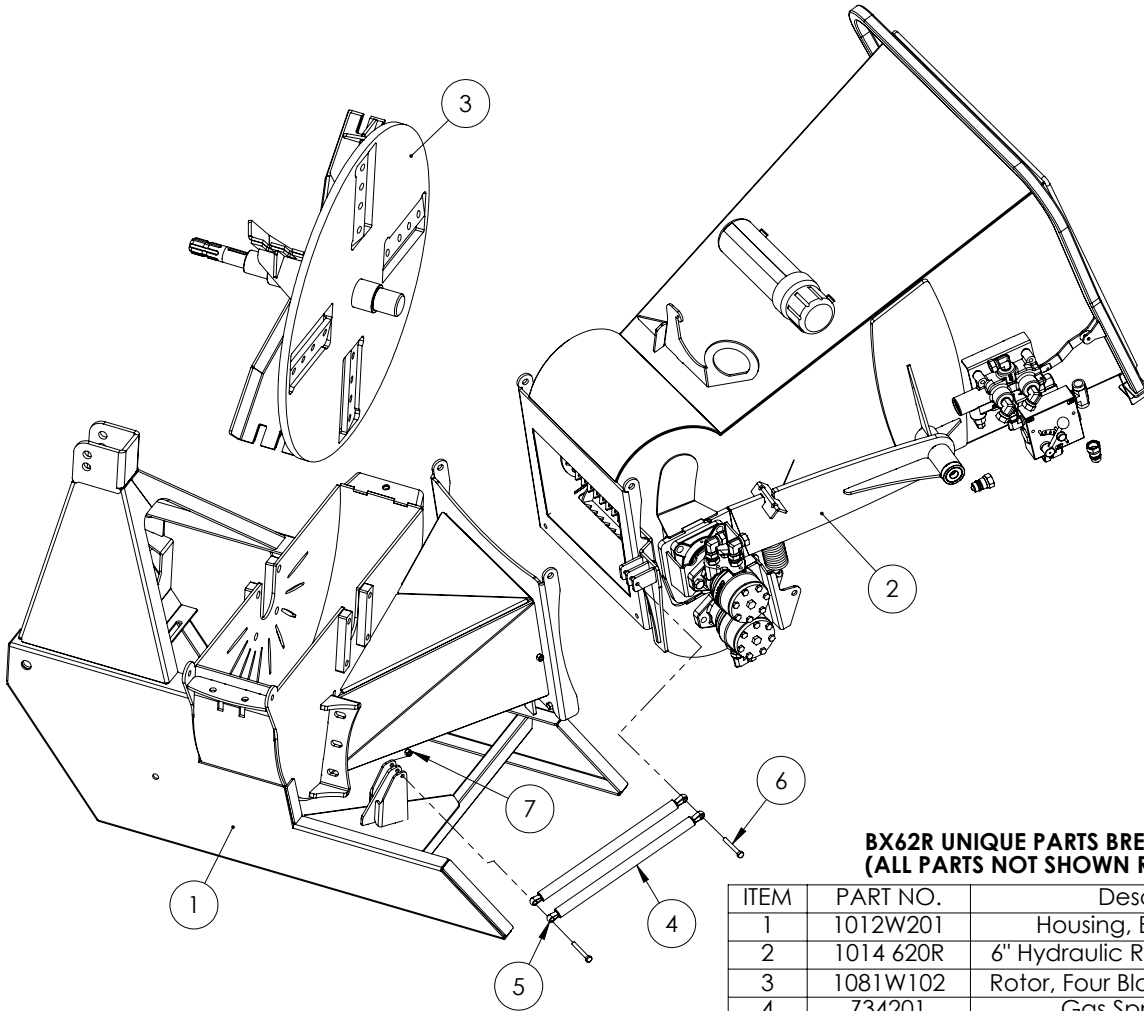


BX42 / BX62 MAIN PARTS BREAKDOWN

ITEM	BX42	BX62	Description	QTY.
1	1011A101	1012A201	Assembly, Discharge Chute	1
2	1011A102	1012A202	Self-Feed Hopper	1
3	1011L106	1012L206	Bracket, PTO Cover Mount	1
4	1011L112	1012L212	PTO Cover	1
5	1011M103	1012M203	Knife, Rotor	4
6	1011M104	1012M204	Knife, Ledger	1
7	1011W101	1012W201	Housing, Bottom Rotor	1
8	1011W102	1012W202	Housing, Upper Rotor	1
9	1011W103	1012W203	Rotor	1
10	1011W104	1012W204	Twig Breaker	1
11	Z11431		Implement Pin 7/8x5-1/2	2
12	Z12110		Latch Pin 3/16	3
13	Z25204	Z25203	4-Bolt Bearing	2
14	Z29202		Grease Zerk 1/4NF	2
15	Z44501		#5 PTO Shaft M10 Shear	1
16	Z71107	Z71307	Hex Bolt 1/4NC / 3/8NC	2
17	Z71312	Z71512	Hex Bolt 3/8NC / 1/2NC	7
18	Z71376G8	Z71572G8	Hex Bolt Gr8	16
19	Z71510	Z71612	Hex Bolt 1/2NC / 5/8NC	8
20	Z72111	Z72231	Hex Lock Nut 1/4NC / 3/8NC	2
21	Z72221		Hex Lock Nut 5/16NC	1
22	Z72231		Hex Lock Nut 3/8NC	5
23	Z72531		Flange Nut 3/8NC	2
24	Z74122	Z72531	Set Screw, 5/16NF / 3/8NF	4
25	Z76132	Z76151	Flange Head Bolt Gr8	3
26	Z94601	Z96605	SMV Decal / Spade	1



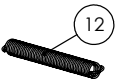
BX62R Parts Breakdown



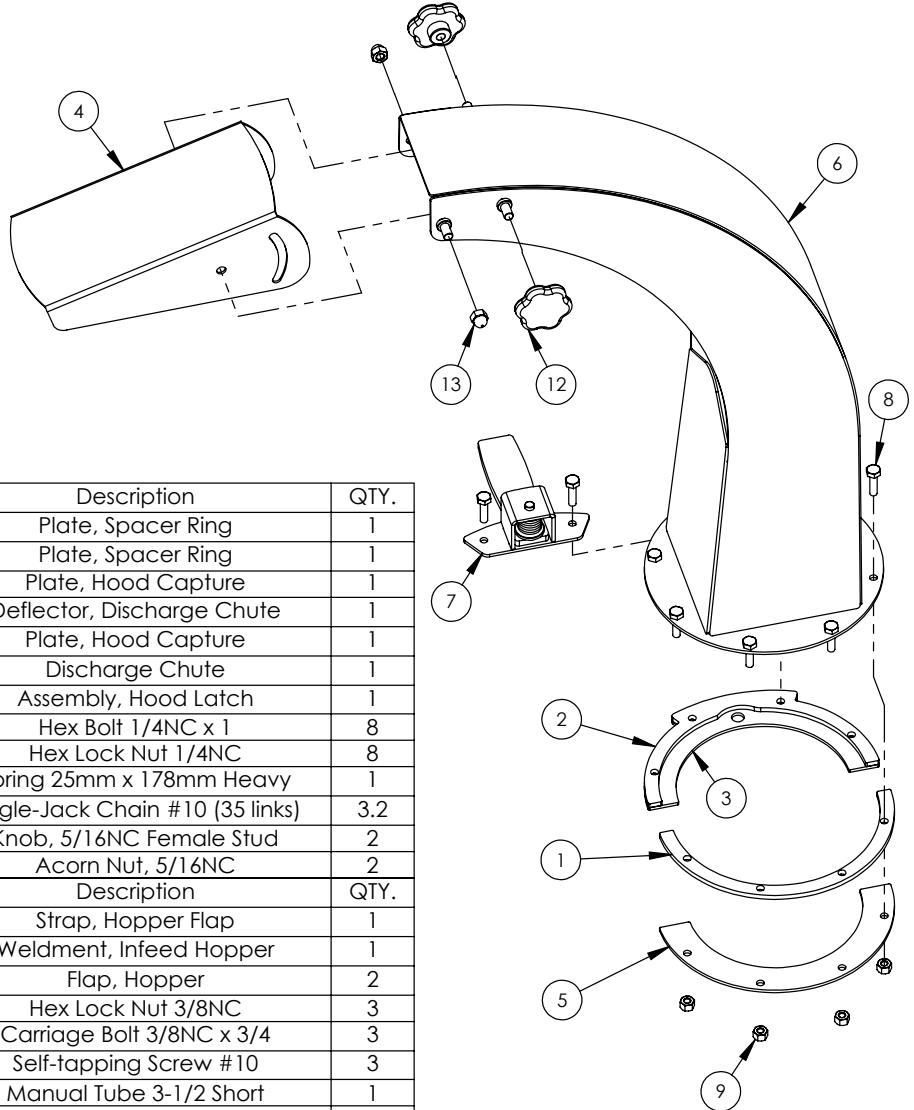
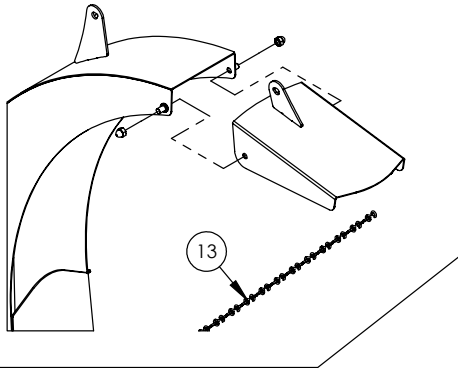
**BX62R UNIQUE PARTS BREAKDOWN
(ALL PARTS NOT SHOWN REFER TO BX62)**

ITEM	PART NO.	Description	QTY.
1	1012W201	Housing, Bottom Rotor	1
2	1014 620R	6" Hydraulic Roller Feed Chute	1
3	1081W102	Rotor, Four Blade PTO with Belt	1
4	Z34201	Gas Spring 7/8x11	2
5	Z34201-3	Threaded Rod End	4
6	Z71225	Hex Bolt 5/16NC x 2-1/2	2
7	Z72221	Hex Lock Nut 5/16NC	2

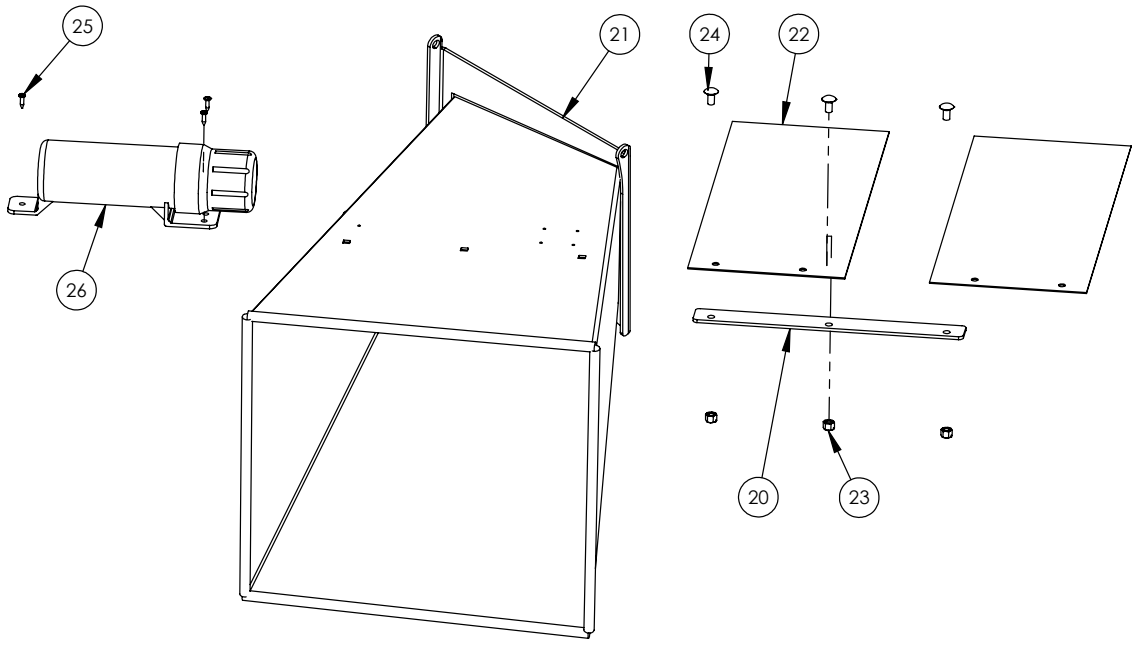
HOPPER / DISCHARGE CHUTE PARTS BREAKDOWN



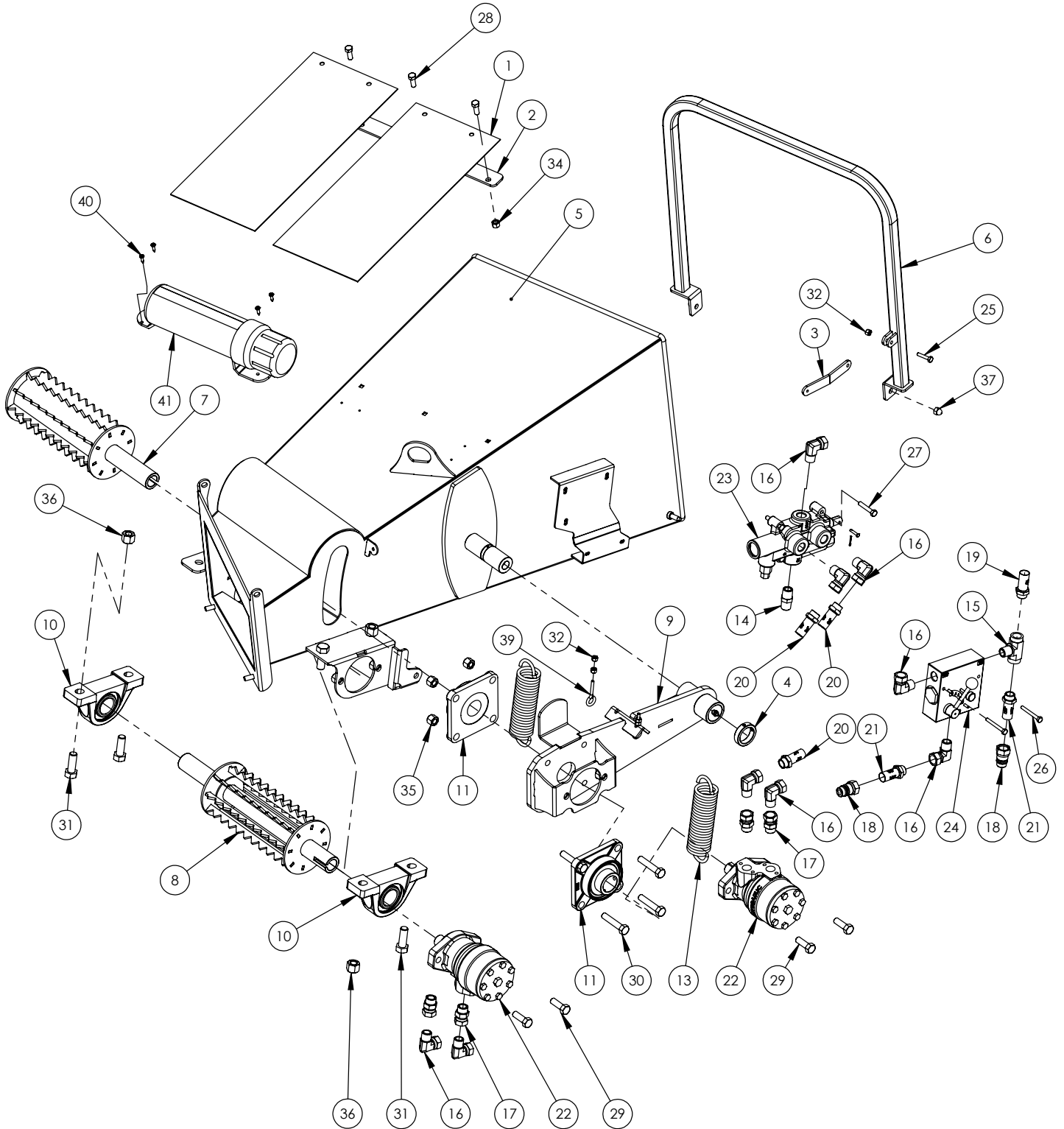
BX62 CONFIGURATION



ITEM	BX42	BX62	Description	QTY.
1	1011L127	1012L229	Plate, Spacer Ring	1
2	1011L129	1012L229	Plate, Spacer Ring	1
3	1011L130	1012L230	Plate, Hood Capture	1
4	1011L133	1012L230	Deflector, Discharge Chute	1
5	1011L134	1012L230	Plate, Hood Capture	1
6	1011W106	1012W206	Discharge Chute	1
7		1012W208	Assembly, Hood Latch	1
8		Z71110	Hex Bolt 1/4NC x 1	8
9		Z72111	Hex Lock Nut 1/4NC	8
10	-	Z31403	Spring 25mm x 178mm Heavy	1
11	-	Z92304	Single-Jack Chain #10 (35 links)	3.2
12	Z19313	-	Knob, 5/16NC Female Stud	2
13		Z72914	Acorn Nut, 5/16NC	2
ITEM	BX42	BX62	Description	QTY.
20	1011L151	1012L251	Strap, Hopper Flap	1
21	1011W107	1012W207	Weldment, Infeed Hopper	1
22		1012S203	Flap, Hopper	2
23	Z72231	-	Hex Lock Nut 3/8NC	3
24	Z76233	-	Carriage Bolt 3/8NC x 3/4	3
25		Z76712	Self-tapping Screw #10	3
26		Z96503	Manual Tube 3-1/2 Short	1
27	-	Z71107	Hex Bolt 1/4NC x 3/4	4



ROLLER FEED CHUTE PARTS BREAKDOWN



ROLLER FEED CHUTE PARTS BREAKDOWN

ITEM	420R	620R	Description	QTY.
1	1012S203		Flap, Hopper	2
2	1013L410	1014L451	Safety Flap Bar	1
3	1013L413	1014L413	Feed Handle Link Bar	1
4	1013M025		Arm Capture Bushing	1
5	1013W200	1014W401	Weldment, Main Hopper	1
6	1013W202	1014W405	Feed Handle	1
7	1013W203	1014W403	Drum, Upper Feed Roller	1
8	1013W204	1014W404	Drum, Lower Feed Roller	1
9	1013W205	1014W402	Roller Arm	1
10	Z24101		P208 Pillow Block 1-1/2	2
11	Z25204		4-Bolt Bearing 1-1/2" Bore	2
12	Z29201		Grease Fitting, 1/8NPT	1
13	Z31501		Spring 2 x 7 Heavy	2
14	Z51122		Nipple, MP x MP 0808	1
15	Z51161		Tee, FP x FP x MP 080808	1
16	Z51331		Elbow 90 MP x FPX 0808	9
17	Z51371		Straight, FORB x MP 1008	4
18	Z51903		FP08 x Pioneer Coupler	2
19	Z52302		1/2 Hose, 1/2NPT x 1/2NPT x 12"	1
20	Z52303		1/2 Hose, 1/2MP x 1/2MP x 36"	3
21	Z52304		1/2 Hose, 1/2MP x 1/2MP x 120"	2
22	Z54102		M&S Hydraulic Motor	2
23	Z56203		Control Valve, Single Spool	1
24	Z56303		Hydraulic Flow Control	1
25	Z71112		Hex Bolt 1/4NC x 1-1/4	1
26	Z71122		Hex Bolt 1/4NC x 2-1/4	2
27	Z71217		Hex Bolt 5/16NC x 1-3/4	3
28	Z71310	Z71107	Hex Bolt 3/8NC / 1/4NC	3/4
29	Z71515		Hex Bolt 1/2NC x 1-1/2	4
30	Z71525		Hex Bolt 1/2NC x 2-1/2	4
31	Z71617		Hex Bolt 5/8NC x 1-3/4	4
32	Z72111		Hex Lock Nut 1/4NC	7
33	Z72221		Hex Lock Nut 5/16NC	3
34	Z72231	-	Hex Lock Nut 3/8NC	3
35	Z72251		Hex Lock Nut 1/2NC	8
36	Z72261		Hex Lock Nut 5/8NC	4
37	Z72911		Acorn Nut, 3/8NC	2
38	Z74110		Set Screw 1/4NC	2
39	Z76511		Eye Bolt 1/4NC x 2-1/2	2
40	Z76712		Self-tapping Screw #10	4
41	Z96502		Manual Tube 3-1/2	1